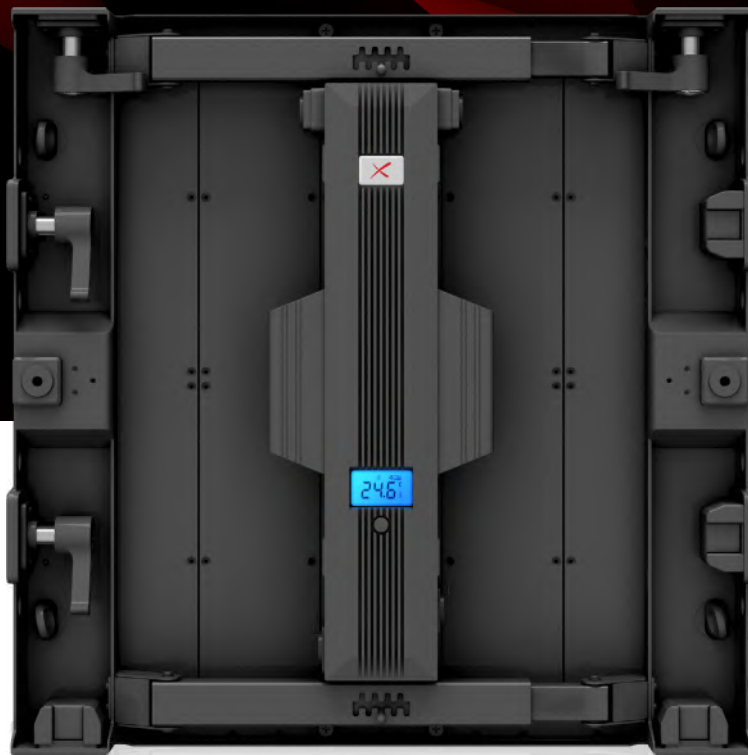




BORON

INDOOR RENTAL FLEXIBLE LED DISPLAY





OVERVIEW

The BORON is the latest addition to our EVENT range. This product is unique in its overall design, which allows $\pm 25^\circ$ inward and outward curves. This feature, combined with this LED cabinet's lightweight and, makes it ideal for rental purposes, as it will fit many different exhibitions, scenographic applications, etc. Easy to install and dismantle, the BORON can be provided with modifiable trusses and hanging bars.



APPLICATION
Indoor



BRIGHTNESS
 ≤ 1200 NITS



INGRESS PROTECTION
IP30



WEIGHT
7.7 - 7 kg/cabinet



PIXEL PITCH
P1.9 P2.9 P3.7



MATERIAL
Die-casting aluminum



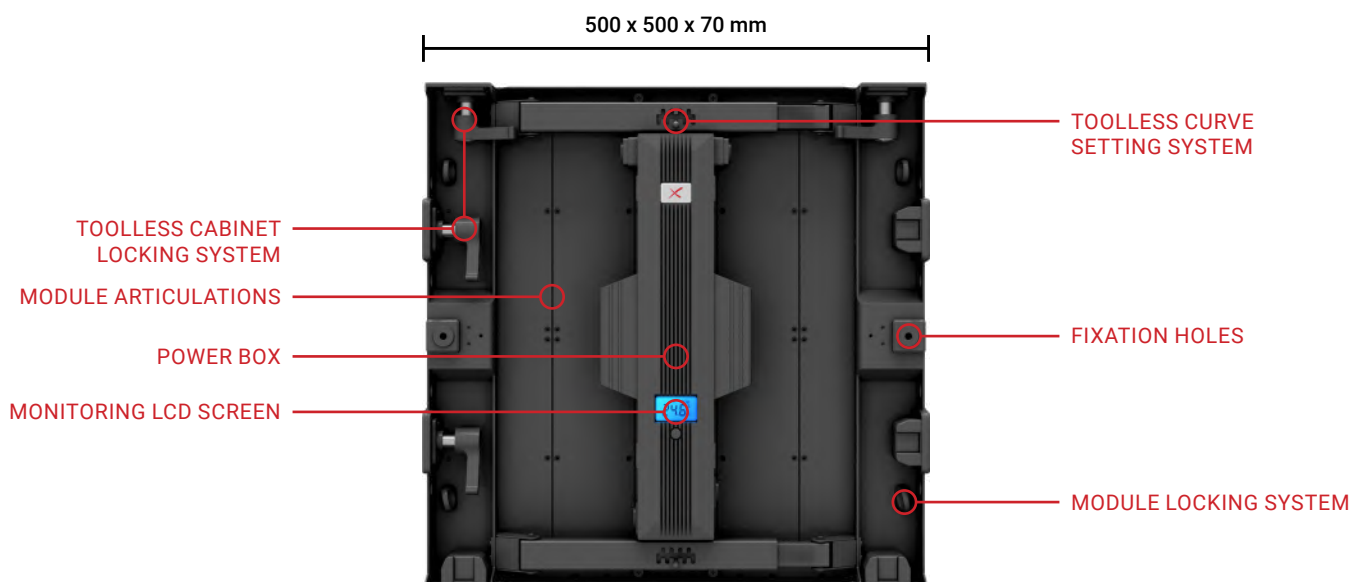
DISPLAY AREA (W x H)
500 x 500 mm



MAINTENANCE
Front & back maintenance

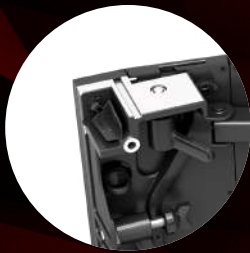
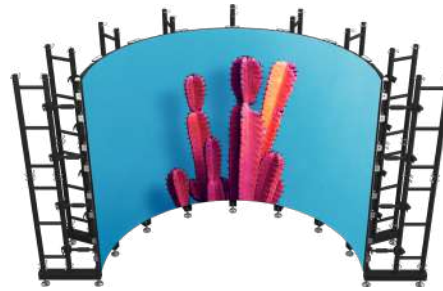


FEATURES



MODULAR CURVING SYSTEM

The BORON is quite peculiar, as where other cabinets have 4four or more modules, it only has one articulated 500 x 500 mm LED module, fixed to a curvable heavy duty frame. Each cabinet can thus be curved at a 25° angle, both inward or outward, allowing you to create custom rental applications on the spot.



CORNER PROTECTIONS
AVAILABLE



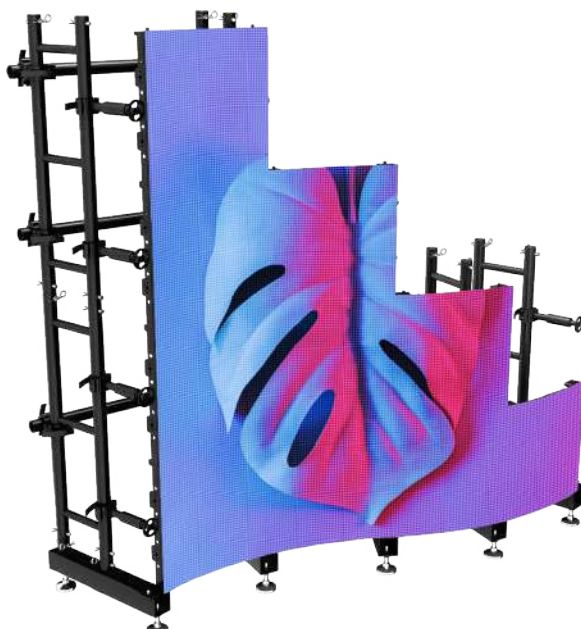
HANGING BARS AND
RIGGING BOXES



ADAPTABLE GROUND
STACKING SYSTEM

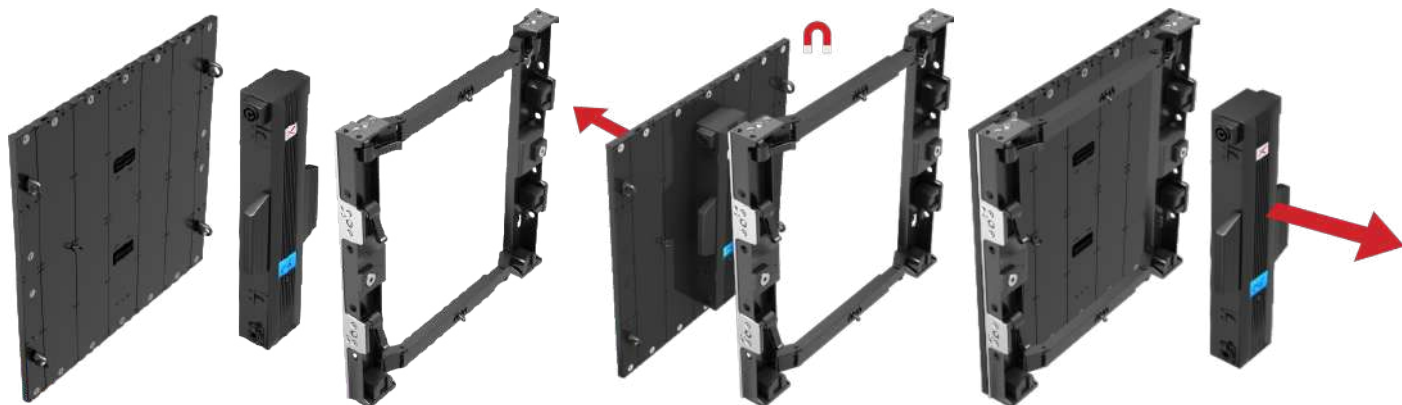
FINE PIXEL PITCH

With a pixel pitch ranging from P1.9 to P3.7, the BORON is capable of displaying high quality, even HD content. Combined with the integrated system, this feature allows a great deal of creativity for your rental applications.



TOURING DISPLAY

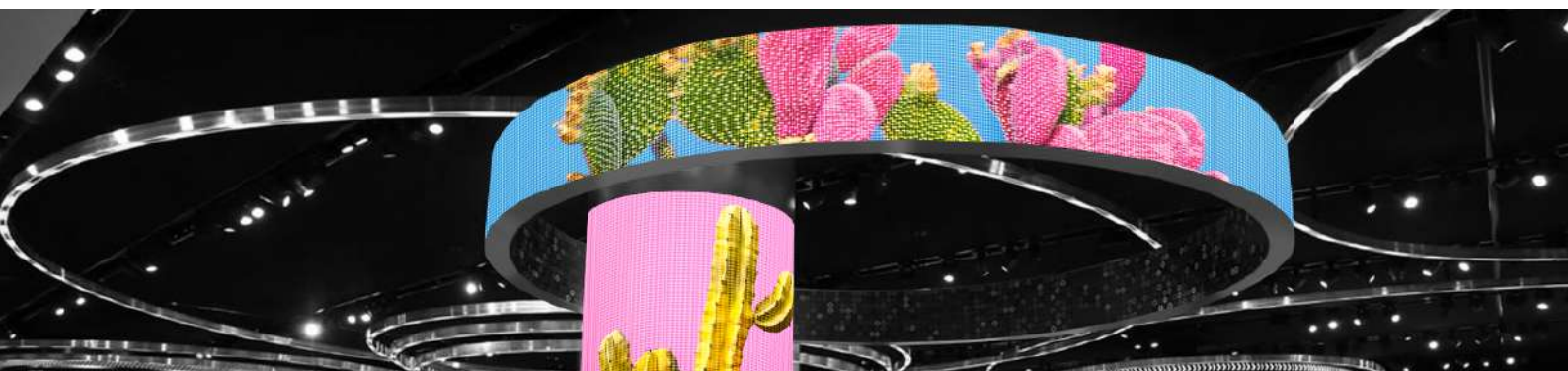
The BORON in itself is a touring-oriented display, with toolless locking systems, toolless curve setting, LCD monitoring screen, easy maintenance system, etc. This is further enhanced by the addition of adaptable, modular installation accessories, allowing custom curved floor stacking and hanging.



MAINTENANCE

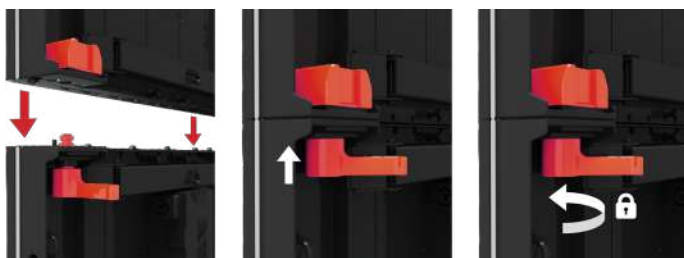
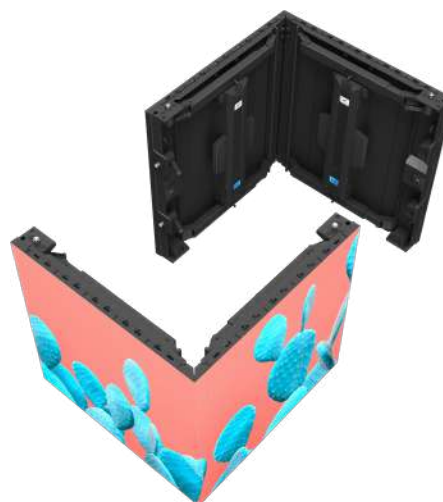
The module of the BORON is both mechanically and magnetically fixed to its frame, and can be removed from the front or the back of your LED display. The power box is fixed to the module, so it can be accessed from the front of

your screen by removing the module, or directly from the back without removing the module. The maintenance process is designed to be quick, efficient, and applicable in any given screen disposition by one qualified technician.



CUSTOMIZABLE INTEGRATION

In order to further its adaptability to every project, we can provide BORON cabinets bevelled at 45° for seamless 90° applications. This, combined with the modular curving system, allows you to conceive the most creative applications for exhibitions, shows, concerts, festivals, etc.



LOCKING SYSTEM

The BORON toolless locking system is rather straightforward, using mechanical handlocks similar to those on the BERYL, AYRGON and other touring products. Thi system allows a sturdy yet quick installation process for your giant LED screen.

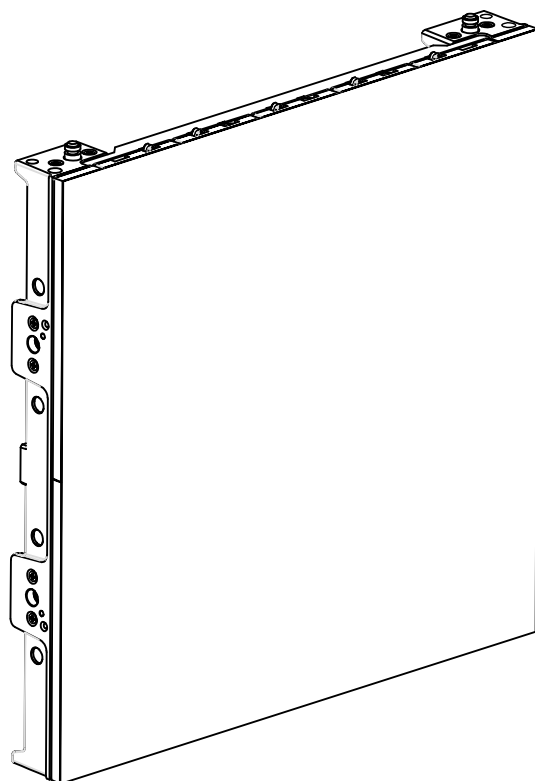
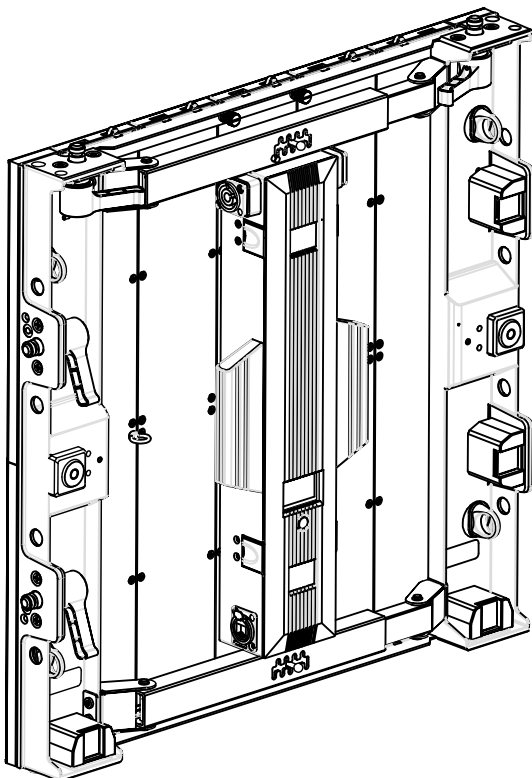
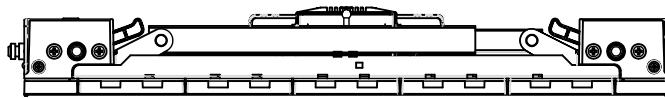
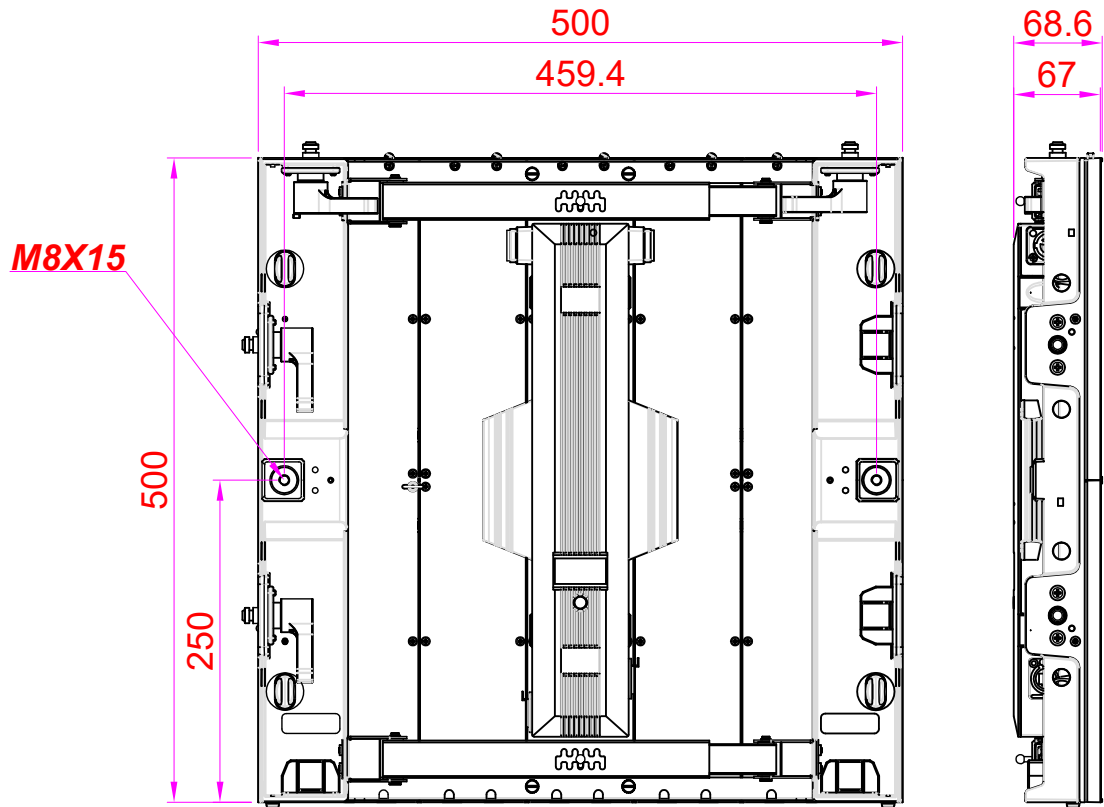


TECHNICAL SPECIFICATIONS

Product Parameters	Unit	INDOOR		
		1.9	2.9	3.7
Pixel Pitch	mm	1,95	2,98	3,79
LED		SMD1515		
Application		Rental flexible LED cabinet		
Ingress Protection	IP	IP30		
Brightness	cd/sqm	≤ 800 Nits @5volts	≤ 1200 Nits @5volts	
Color Temperature after calib (adjustable)	deg. K	6500		
Viewing Angle (50% brightness)	deg.	160H / 160V		
Cabinet Size (WxHxD)	mm	500 x 500 x 70		
Display area (WxH)	mm	500 x 500		
Module Size (WxHxD)	mm	500 x 500		
Pixel Matrix Per Cabinet (WxH)	px	256 x 256	168 x 168	132 x 132
Pixel Matrix Per Module (WxH)	px	256 x 256	168 x 168	132 x 132
Pixel Density	px/sqm	262144	112896	69696
Weight of cabinet and modules	kg	7.7	7	
Cabinet Material		Die-casting aluminum		
Maintenance Mode		Back & front		
Mask specification		95% Plastic + 5% Fiber / SS Screws / No shaders		
Contrast Ratio		High		
Grey scale (linear)	bit	16		
Brightness control	bit	16		
Processing depth	bit	16		
Color		281 Trillions		
Display Refresh Rate	Hz	3840		
Operation Power	V	AC85-230V		
Max. Power Consumption	W/sqm	400		
Average Power Consumption	W/sqm	120		
Control Mode		Synchronization		
Video Frame Rate	Hz	50/60Hz		
Input Types Supported		DVI / SDI / HDMI		
3D ready (optional)		Yes		
Calibration		Yes		
Lifetime (50% brightness)	h	50000		
Operating Humidity Range		10-80%		
Operating Temperature Range		-40°C / +45°C		
Screen Uniformity Correction		-		
Certification		CE / ETL / CCC		
Options		Corner protections / 90° cabinets		
Compatibility		No		



TECHNICAL DRAWINGS





CONTACT

The Artixium regional branches are the key for the growth and development of our global network all over the world. Artixium's team is a spectrum of different nationalities and cultures, reflecting their global presence and mindset, mak-

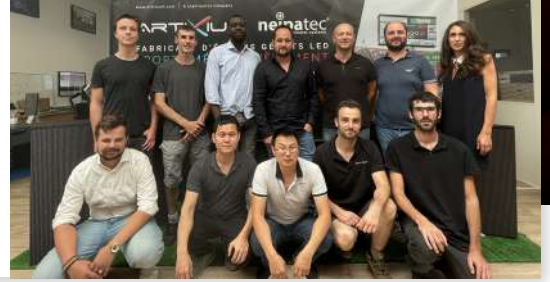
ing their communication smooth and hassle-free with clients from all around the world. Customer care, Innovation and flexibility has always been our values and we intend to keep this reputation for many years to come.

ARTIXIUM FRANCHISES

"From your project's conception to its completion."



112 Avenue Franklin Roosevelt
69120 Vaulx-en-Velin
France



Artixium Operational Center
518000 Shenzhen
China




Weissensteinstrasse 90b,
46149 Oberhausen
Germany




Merkez Mah. Baglar Cad. A
Blok Apt. No: 14D/13 Kagithane, Istanbul
Turkey



 www.artixium.com

 0 428 001 801

 [linkedin.com/company/artixium](https://www.linkedin.com/company/artixium)

 twitter.com/artixium

 contact@artixium.com

 [youtube.com/@artixium](https://www.youtube.com/@artixium)

 [facebook.com/artixium](https://www.facebook.com/artixium)

 [instagram.com/artixium](https://www.instagram.com/artixium)



Since its creation in 2012 by two european entrepreneurs, Artixium has been evolving and always looking for innovative ways to contribute to the digital transition of our world. It only took a few years for Artixium to become a key player in the LED display industry.

www.artixium.com